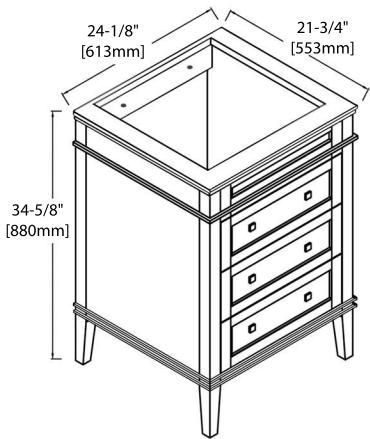
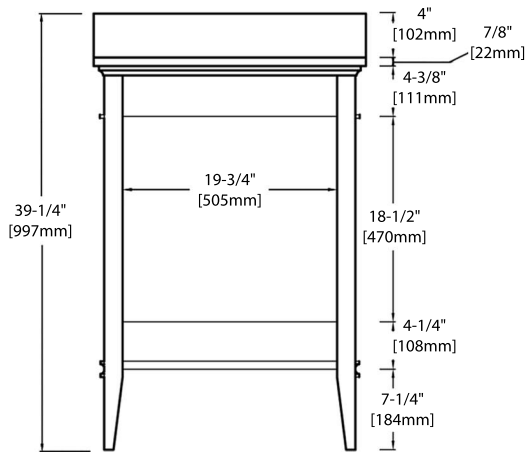


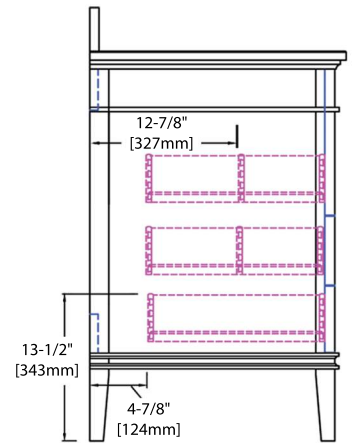
24" VANITY



V8015 24

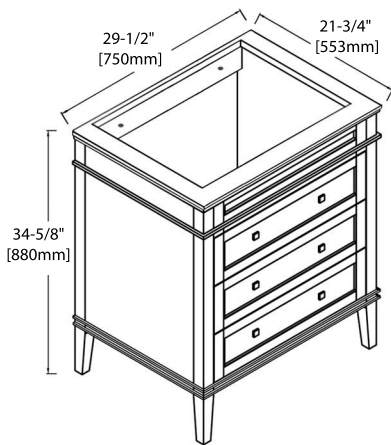


BACK VIEW

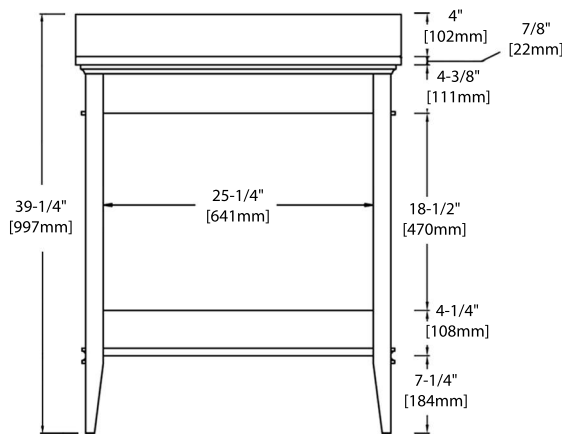


SIDE VIEW

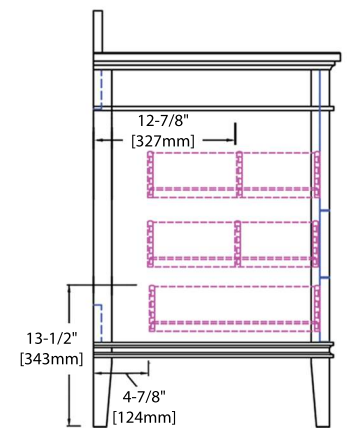
30" VANITY



V8015 30

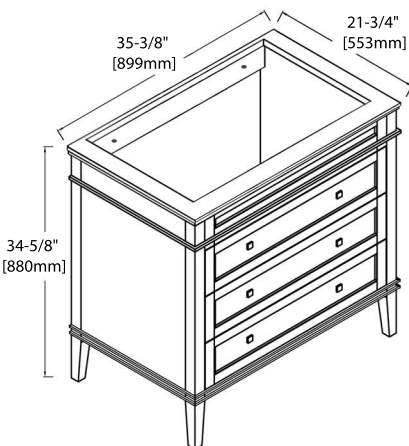


BACK VIEW

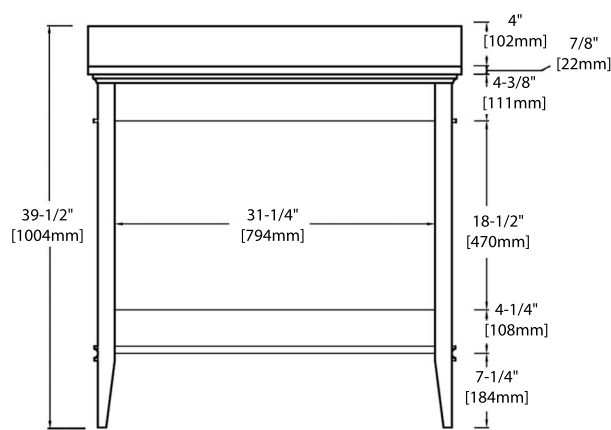


SIDE VIEW

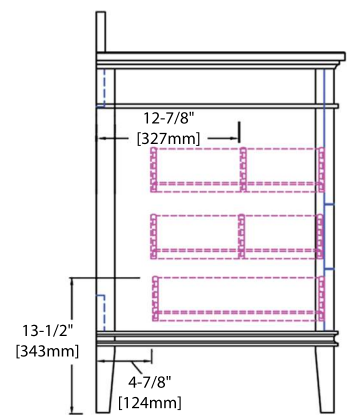
36" VANITY



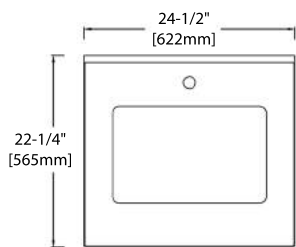
V8015 36



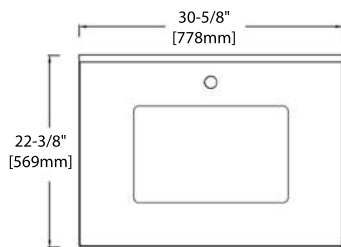
BACK VIEW



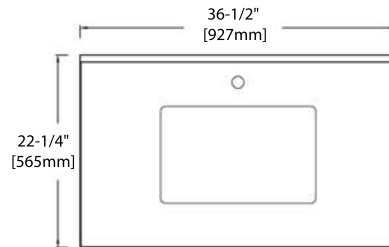
SIDE VIEW



24" - CT5015 2422

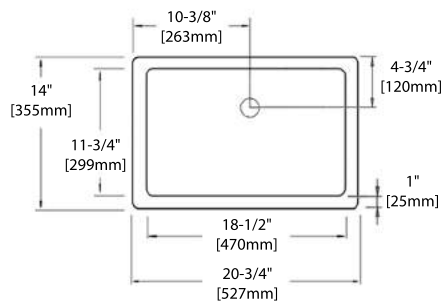


30" - CT5015 3022

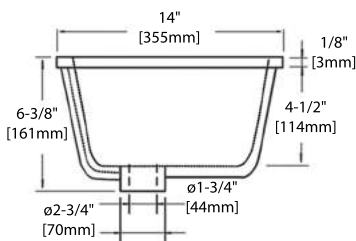


36" - CT5015 3622

UNDERMOUNT BASIN - C09 2114

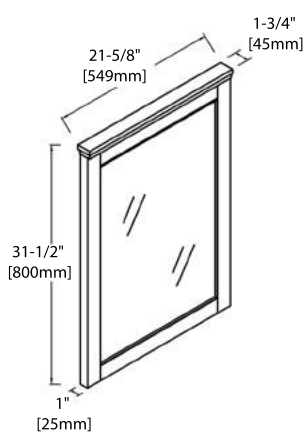


TOP VIEW

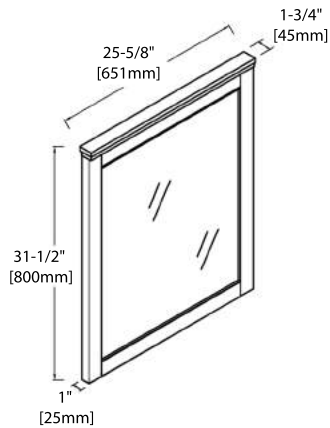


SIDE VIEW

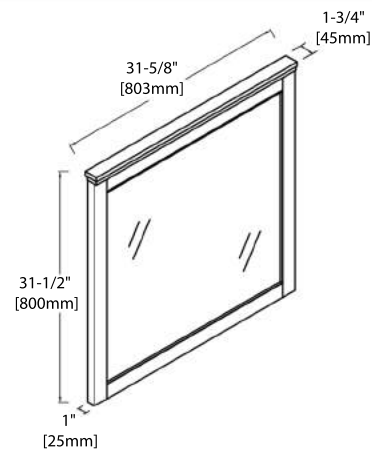
MIRRORS



24" - M6015 24



30" - M6015 30



36" - M6015 36

REQUIRED TOOLS



Tape Measure



Pencil



Electric Drill



Drill Bit (6mm)



Silicone



Screwdriver

PARTS INCLUDED



4 pcs



4 pcs



4 pcs



4 pcs

